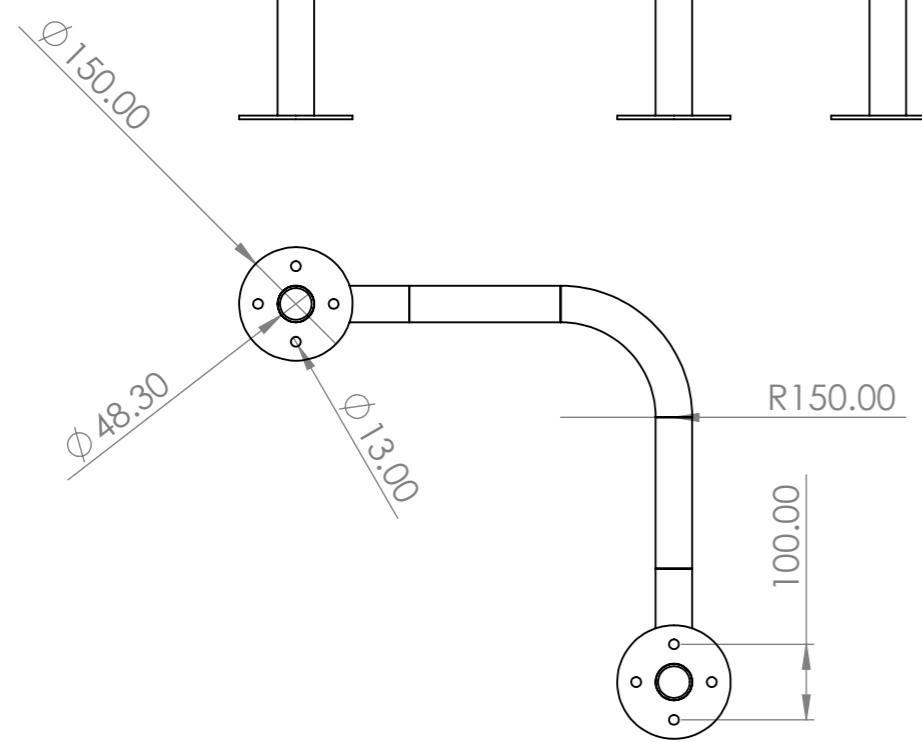
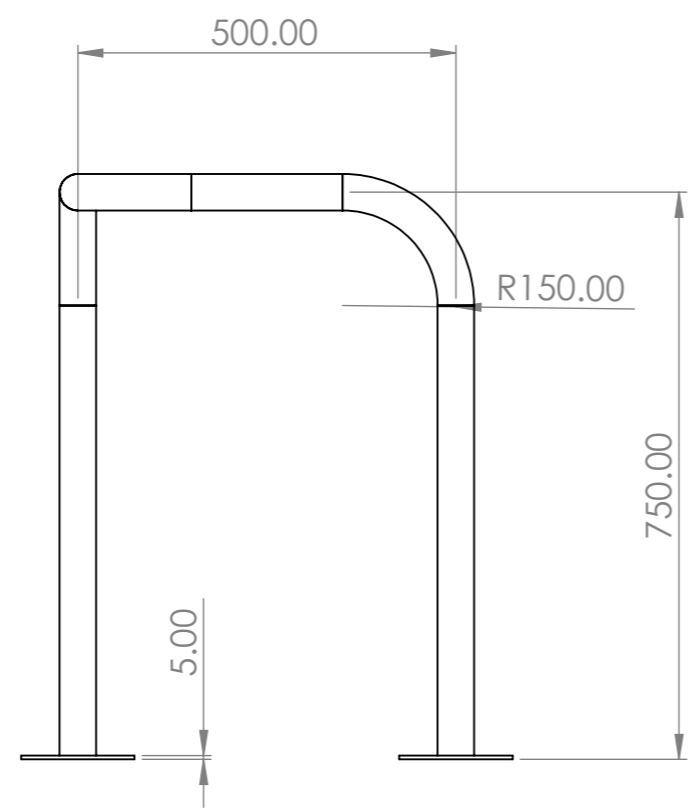
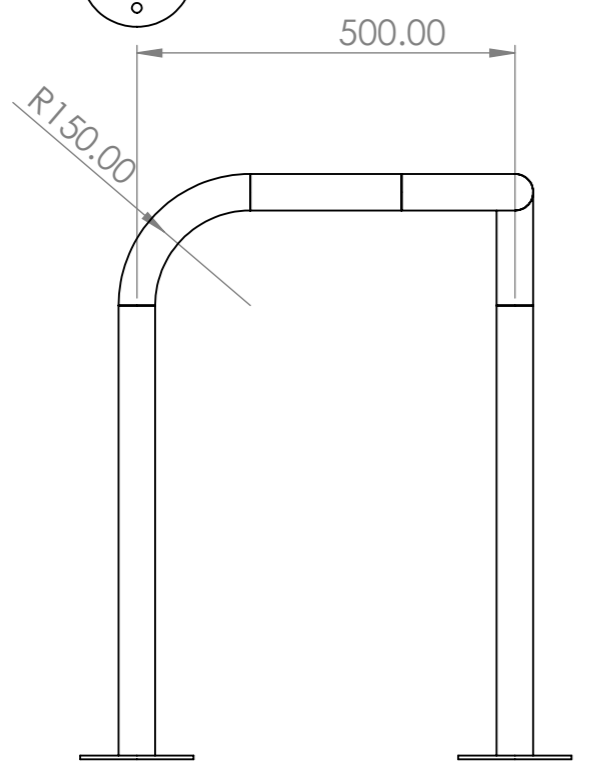
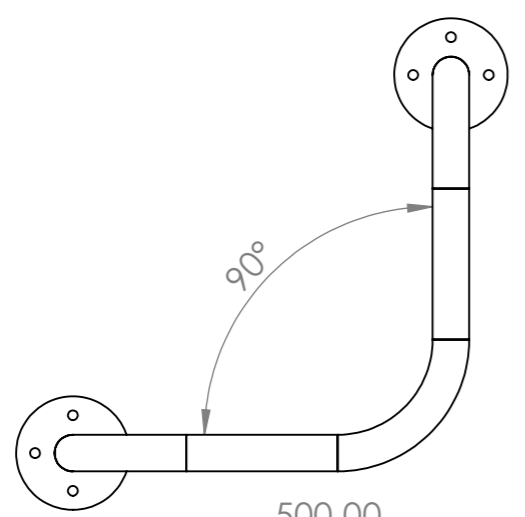



8 7 6 5 4 3 2 1

F  
E  
D  
C  
B  
A

F  
E  
D  
C  
B  
A



UNLESS OTHERWISE SPECIFIED: DIMENSIONS ARE IN MILLIMETERS SURFACE FINISH: TOLERANCES: LINEAR: ANGULAR:				FINISH:  Brushed Steel		DEBURR AND BREAK SHARP EDGES		DO NOT SCALE DRAWING		REVISION			
													
DRAWN								TITLE: H750 x L500 x 48.3 Dia Stainless Steel Hooped Corner Barrier					
CHK'D													
APPV'D													
MFG													
Q.A								MATERIAL:  304L		DWG NO. HCB-BD-SS-L500-H750-D48.3		A3	
								WEIGHT: 9592.00		SCALE: 1:10		SHEET 1 OF 1	

8 7 6 5 4 3 2 1

A

A