

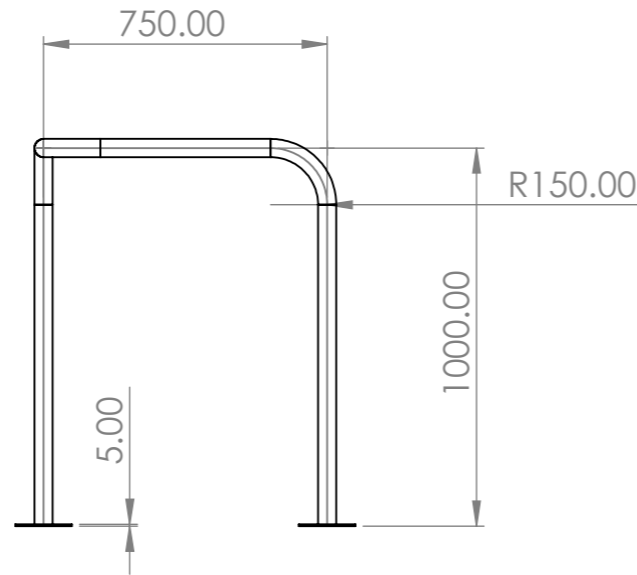
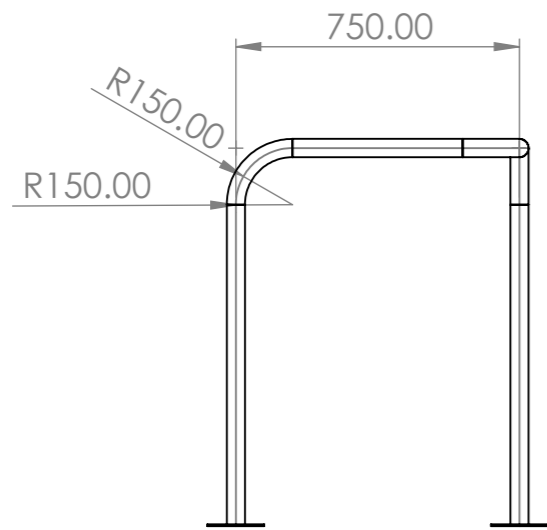
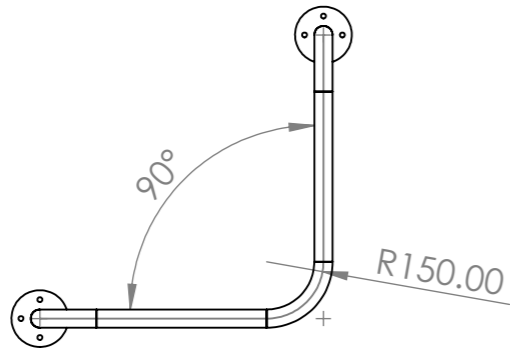
8 7 6 5 4 3 2 1

F

F

E

E

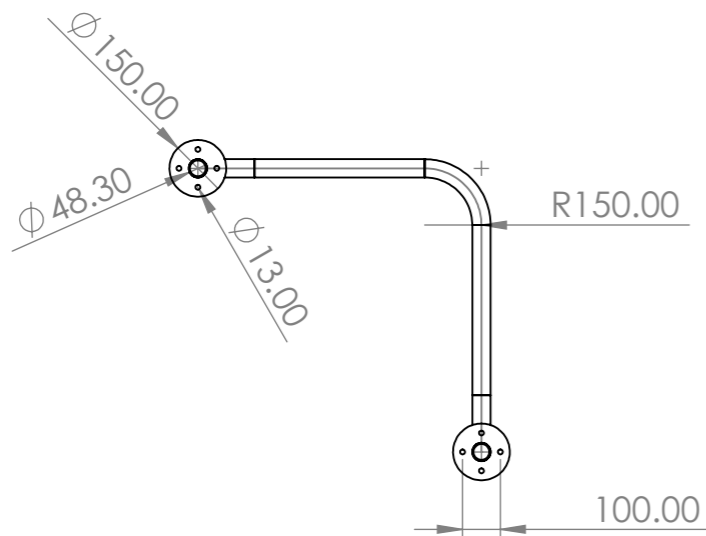


D

D

C

C




B

B

A

A

8 7 6 5 4 3 2 1

UNLESS OTHERWISE SPECIFIED: DIMENSIONS ARE IN MILLIMETERS			FINISH: Brushed Steel		DEBURR AND BREAK SHARP EDGES		DO NOT SCALE DRAWING		REVISION	
SURFACE FINISH: TOLERANCES: LINEAR: ANGULAR:										
DRAWN			NAME		SIGNATURE		DATE		TITLE: H1000 x L750 x 48.5 Dia Stainless Steel Hooped Corner Barrier	
CHK'D										
APPV'D										
MFG										
Q.A							MATERIAL: 304L		DWG NO. HCB-BD-SS-L750-H1000-D48.3	
							WEIGHT: 13219.16		SCALE: 1:20	
									SHEET 1 OF 1	
									A3	