

8 7 6 5 4 3 2 1

F

F

E

E

D

D

C

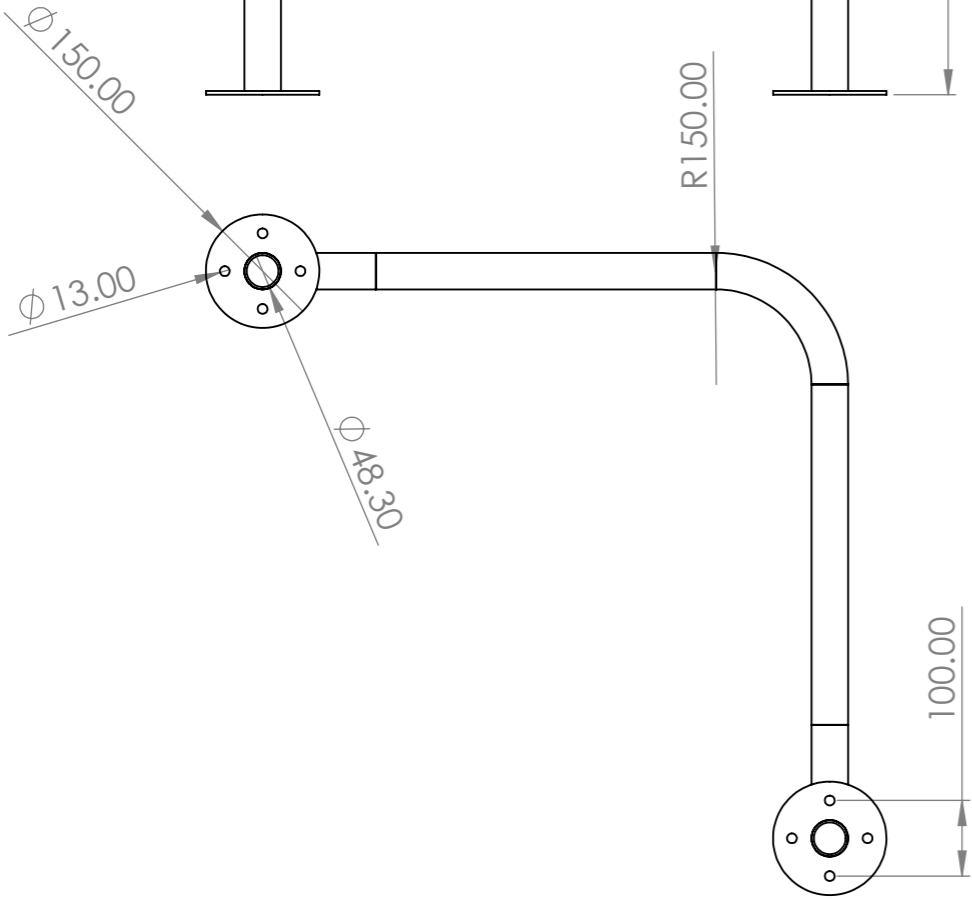
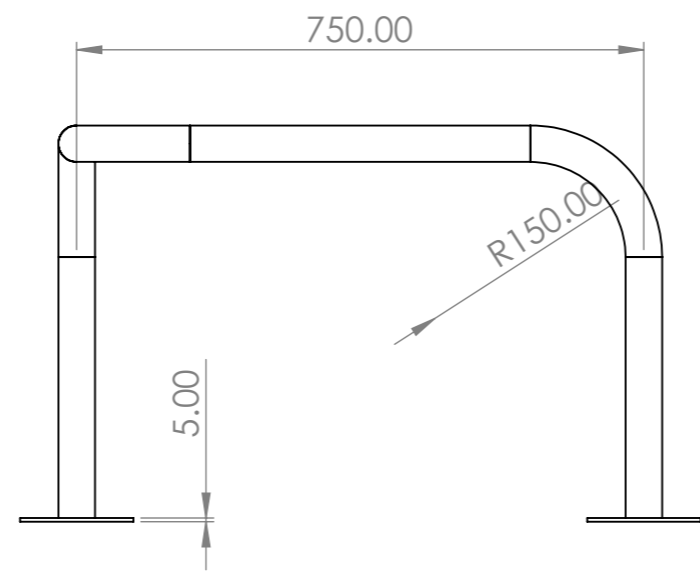
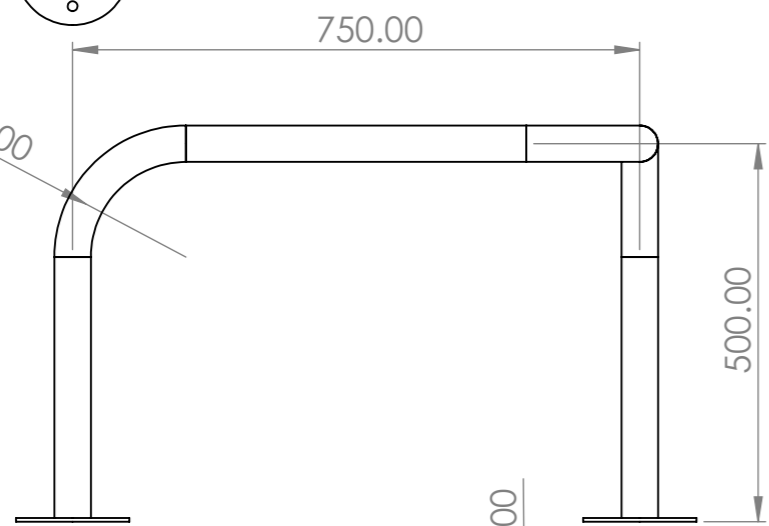
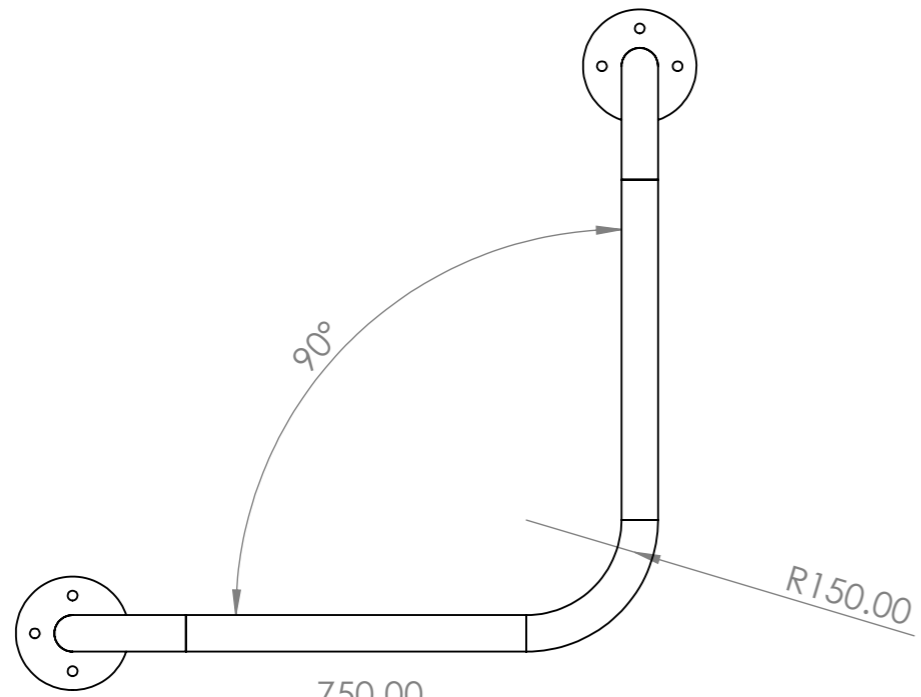
C


B

B

A

A



UNLESS OTHERWISE SPECIFIED: DIMENSIONS ARE IN MILLIMETERS			FINISH: Brushed Steel		DEBURR AND BREAK SHARP EDGES		DO NOT SCALE DRAWING		REVISION	
SURFACE FINISH: TOLERANCES: LINEAR: ANGULAR:									TITLE: H500 x L750 x 48.3 Dia Hooped Corner Barrier	
DRAWN			NAME		SIGNATURE		DATE		DWG NO. HCB-BD-SS-L750-H500-D48.3	
CHK'D									A3	
APPV'D									SCALE: 1:10	
MFG									SHEET 1 OF 1	
Q.A							MATERIAL: 304L			
							WEIGHT: 9592.00			

8 7 6 5 4 3 2 1