

8 7 6 5 4 3 2 1

F

F

E

E

D

D

C

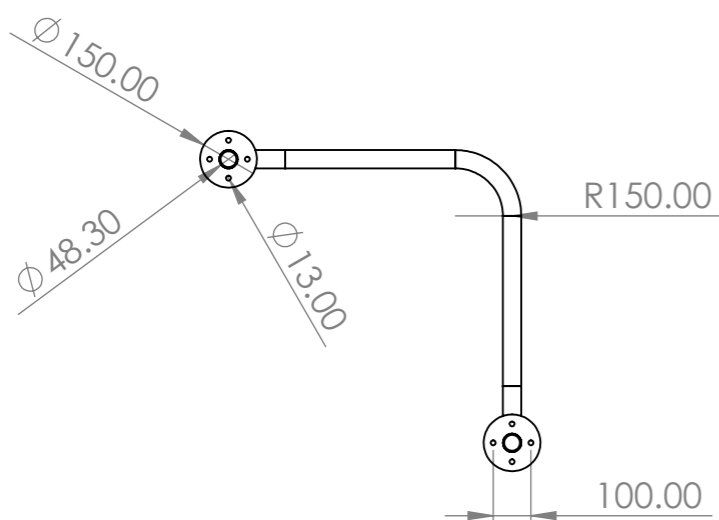
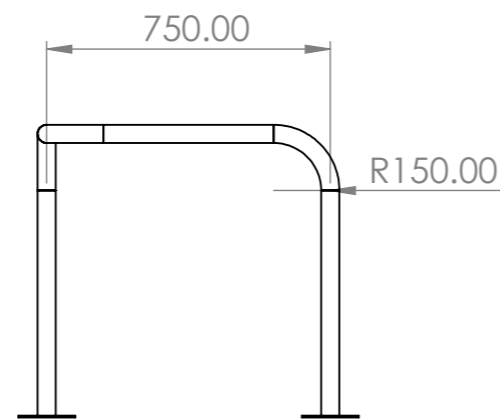
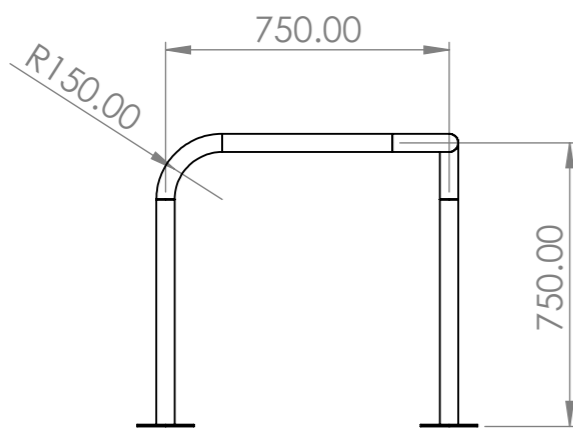
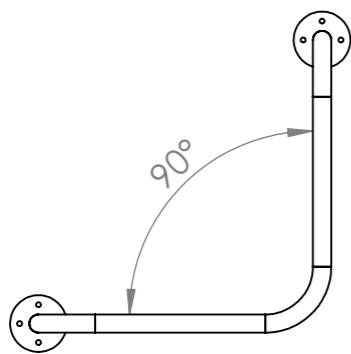
C

B

B

A

A



|   |  |  |  |                              |  |                                    |  |   |  |              |  |
|---|--|--|--|------------------------------|--|------------------------------------|--|---|--|--------------|--|
| UNLESS OTHERWISE SPECIFIED:<br>DIMENSIONS ARE IN MILLIMETERS<br>SURFACE FINISH:<br>TOLERANCES:<br>LINEAR:<br>ANGULAR: |  |  |  | FINISH:<br><br>Brushed Steel |  | DEBURR AND<br>BREAK SHARP<br>EDGES |  | DO NOT SCALE DRAWING  |  | REVISION     |  |
|   |  |  |  |                              |  |                                    |  |   |  |              |  |
|   |  |  |  |                              |  |                                    |  | TITLE:<br>H750 x L750 x 48.3 Dia Stainless Steel Hooped<br>Corner Barrier |  |              |  |
| DRAWN   |  |  |  |                              |  | MATERIAL:<br>304L                  |  | DWG NO.<br>HCB-BD-SS-L750-H750-D48.3                                      |  | A3           |  |
| CHK'D   |  |  |  |                              |  | WEIGHT: 11405.58                   |  | SCALE:1:20  |  | SHEET 1 OF 1 |  |
| APPV'D  |  |  |  |                              |  |                                    |  |   |  |              |  |
| MFG   |  |  |  |                              |  |                                    |  |   |  |              |  |
| Q.A   |  |  |  |                              |  |                                    |  |   |  |              |  |

8 7 6 5 4 3 2 1