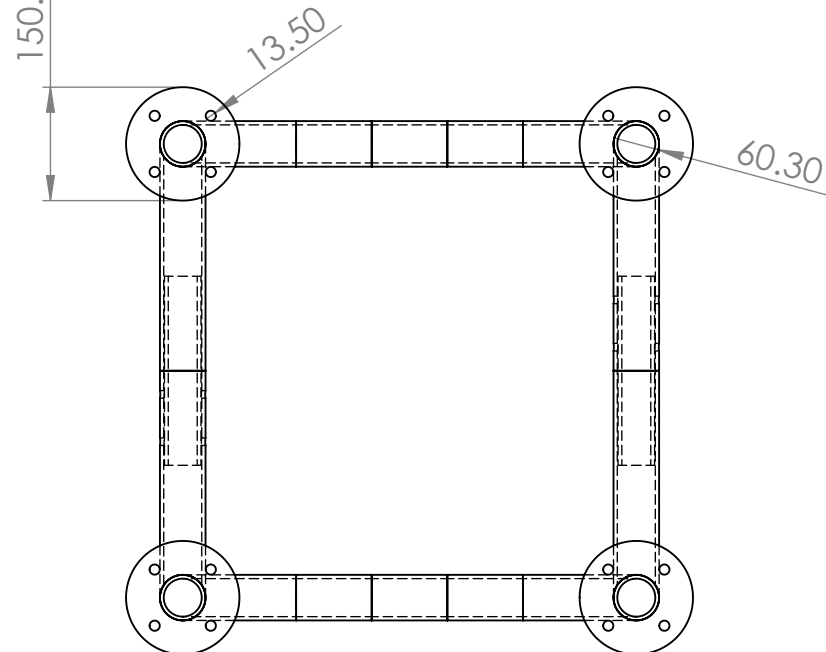
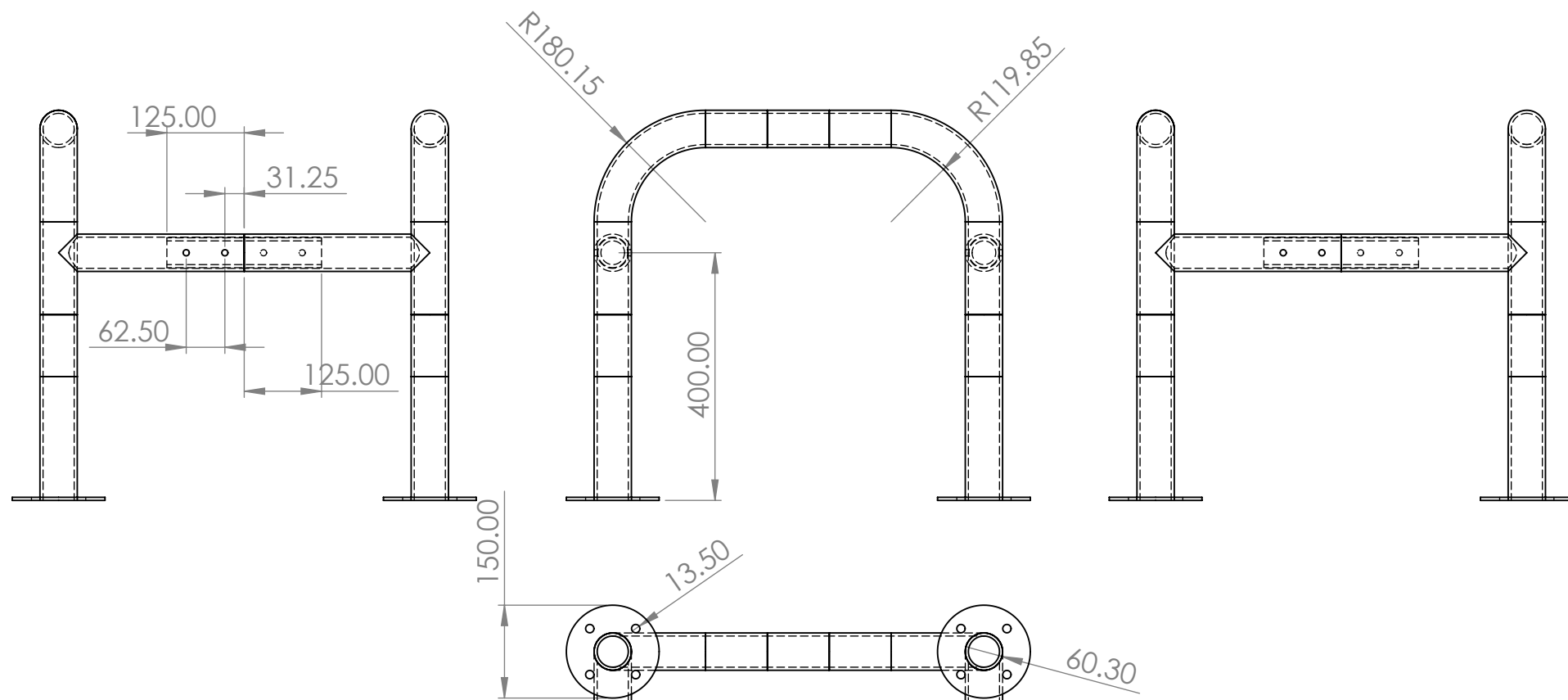
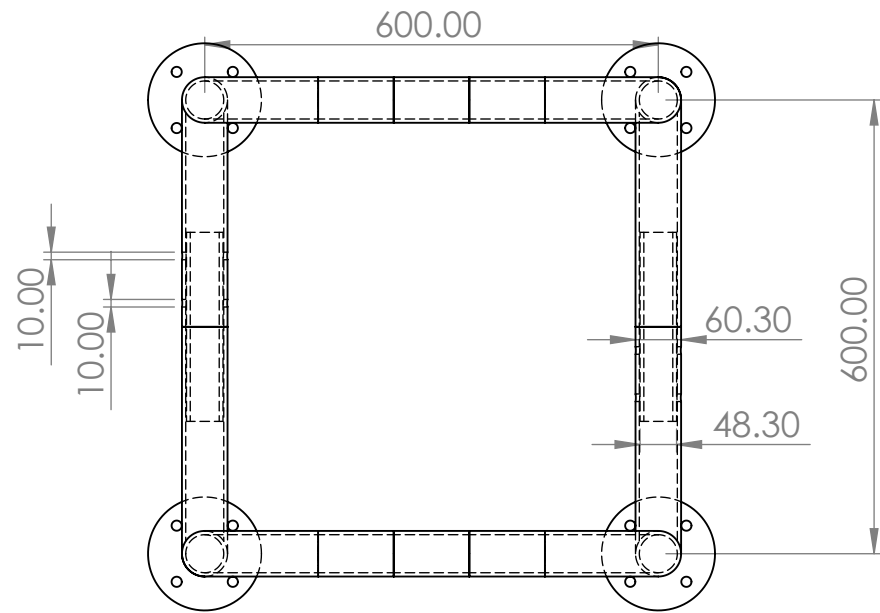



REV	REVISION NOTES	REVISION BY	REVISION DATE
1			
2			
3			
4			



 METAL PRODUCTS DIRECT	UNLESS OTHERWISE SPECIFIED: DIMENSIONS ARE IN MILLIMETERS TOLERANCES: X: 2.5 X.XX: 0.13 X.X: 0.25 X.XXX: 0.013		CUSTOMER:	
	MATERIAL: Mild Steel		DESCRIPTION: Lamp Post Protection	
17 Bridge Street Pendlebury Manchester M27 4DU	FINISH: Galvanized WEIGHT: Kg 35.36		DWG NO: LPP-G-H600-L600	
	DEBUR AND BREAK SHARP EDGES DO NOT SCALE DRAWING IF IN DOUBT ASK!		BY:	DATE:
DRAWN: CHECKED: APPROVED:		REV:		SHEET SCALE: 1:10 SHEET SIZE: A3 SHEET NUMBER: 1 OF 1