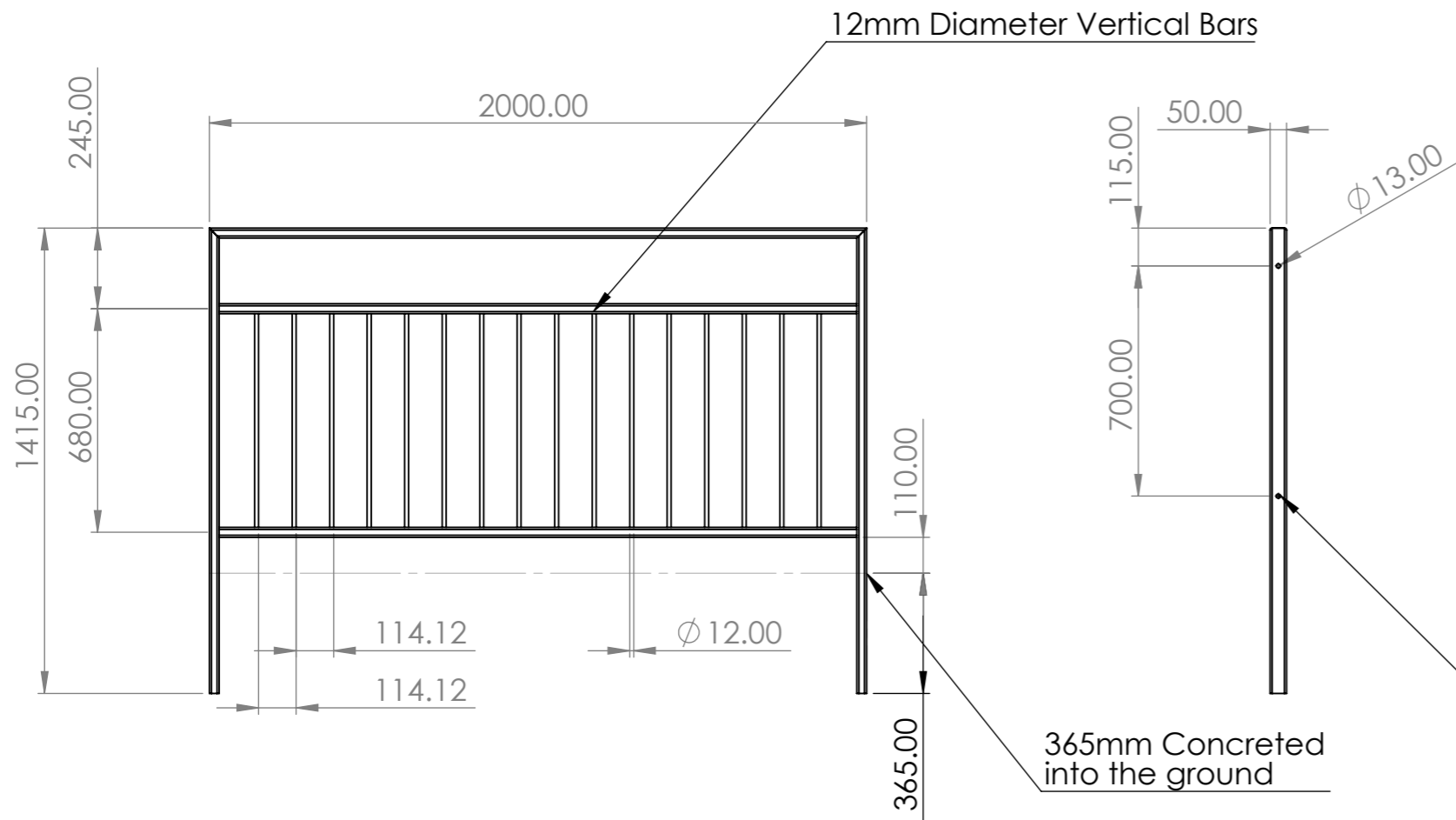
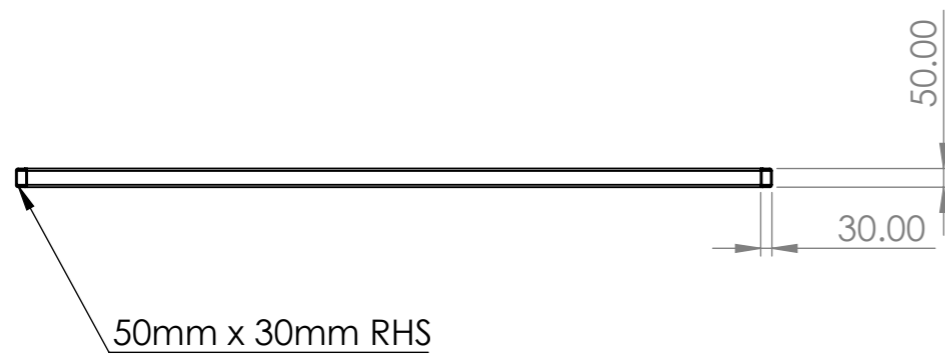



| REV | REVISION NOTES | REVISION BY | REVISION DATE |
|-----|----------------|-------------|---------------|
| 1   |                |             |               |
| 2   |                |             |               |
| 3   |                |             |               |
| 4   |                |             |               |



M12 Galvanized Connection Bolts and washers



|   |  |                      |  |                           |
|---|--|----------------------|--|---------------------------|
|  <p><b>Alfa Industrial Services LTD</b><br/>17 Bridge St<br/>Pendlebury<br/>Manchester<br/>M27 4DU</p> | UNLESS OTHERWISE SPECIFIED:<br>DIMENSIONS ARE IN MILLIMETERS<br>TOLERANCES:<br>X: ±2.5 X.XX: ±0.13<br>X.X: ±0.25 X.XXX: ±0.013 |                      | CUSTOMER:  |                           |
|   | MATERIAL:<br>Galvanized Steel  |                      | DESCRIPTION:<br>2000mm x 1050mm above ground roadside pedestrian barrier |                           |
| FINISH:<br>WEIGHT: 39501.27 Grams   |  | BY:                  | DATE:  | DWG NO:                   |
| DEBUR AND BREAK SHARP EDGES<br>DO NOT SCALE DRAWING<br><b>IF IN DOUBT ASK!</b>  |  | DRAWN: LH            |  | <b>RS-P-G-L2000-H1415</b> |
| CHECKED:<br>APPROVED:   |  |                      |  | REV:                      |
|   |  | SHEET SCALE: 1:20    |  | SHEET SIZE: A3            |
|   |  | SHEET NUMBER: 1 OF 1 |  |                           |