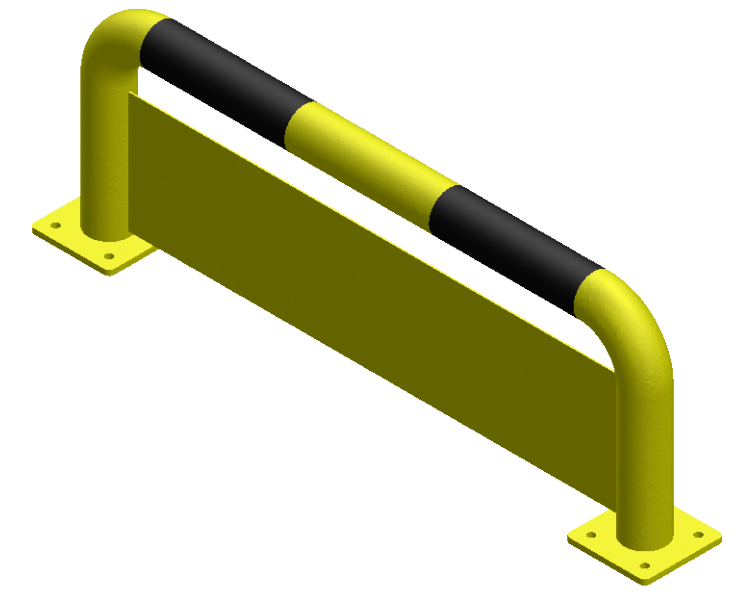
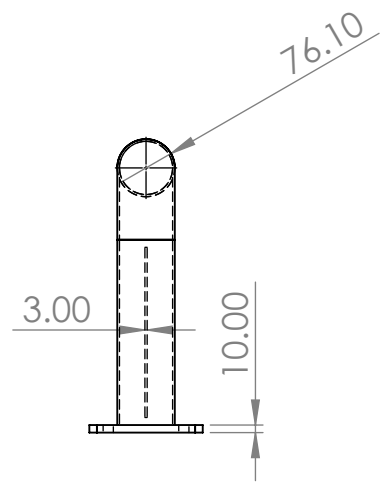
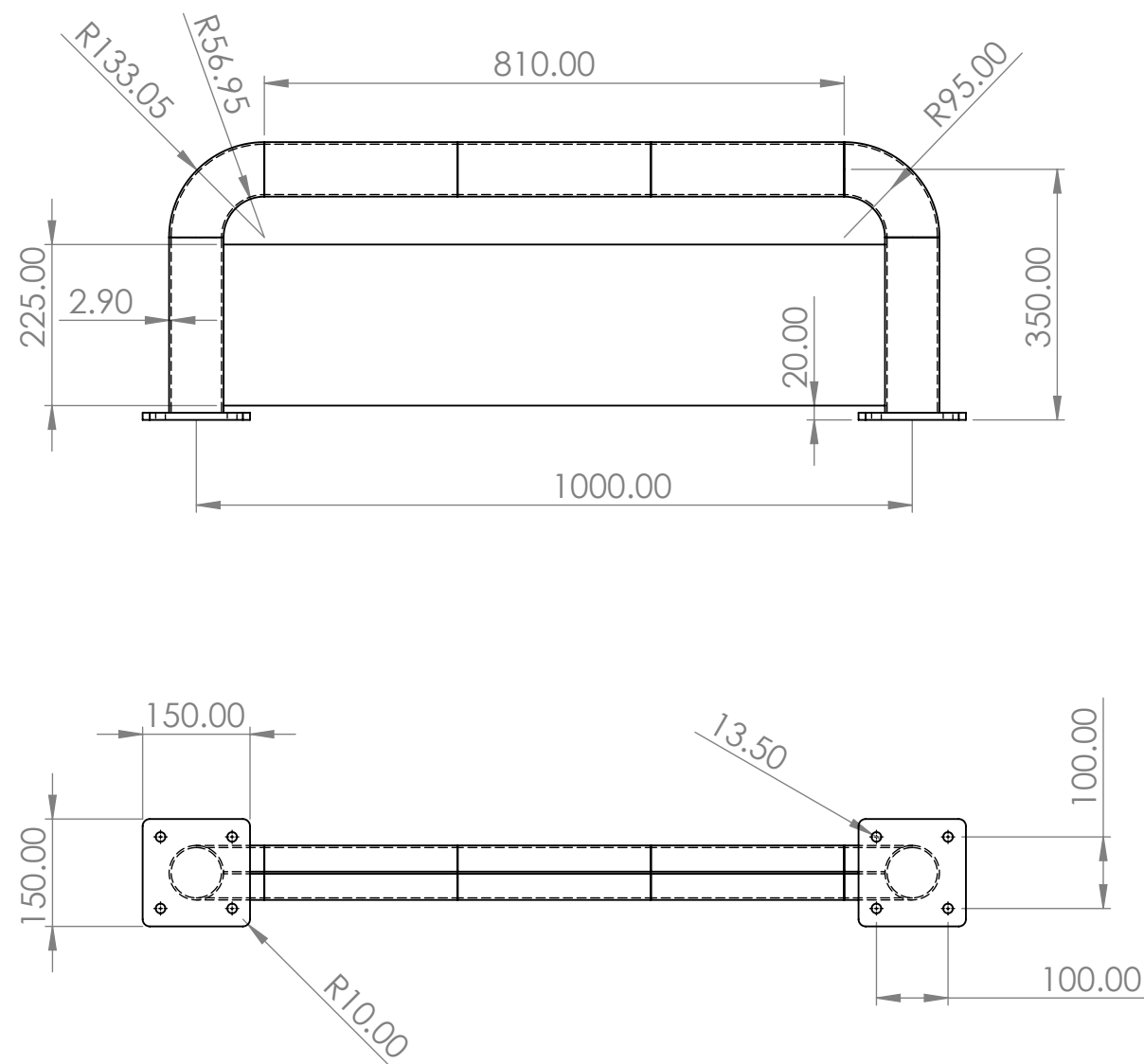



| REV | REVISION NOTES | REVISION BY | REVISION DATE |
|-----|----------------|-------------|---------------|
| 1 | | | |
| 2 | | | |
| 3 | | | |
| 4 | | | |



| | | | | |
|---------------------------------------------------------------------------------------------------------------------------------------------------------------------------------------------|----------------------------------------------------------------------------------------------------------------------------|-----------------|----------------------------------------------------------------|------|
|  <p>METAL PRODUCTS DIRECT</p> <p>17 Bridge Street Pendlebury Manchester M27 4DU</p> | UNLESS OTHERWISE SPECIFIED: DIMENSIONS ARE IN MILLIMETERS TOLERANCES: X: 2.5 X.XX: 0.13 X.X: 0.25 X.XXX: 0.013 | | CUSTOMER: | |
| | MATERIAL: Plain Carbon Steel | | DESCRIPTION: Straight Guard With Infill L1000mm x H350mm | |
| DEBUR AND BREAK SHARP EDGES DO NOT SCALE DRAWING IF IN DOUBT ASK! | FINISH: Powdercoated WEIGHT: 16.59 Kg | BY: LH DATE: | DWG NO: SGWI-L1000-H350-D76 | REV: |
| | CHECKED: APPROVED: | | SHEET SCALE: 1:10 SHEET SIZE: A3 SHEET NUMBER: 1 OF 1 | |