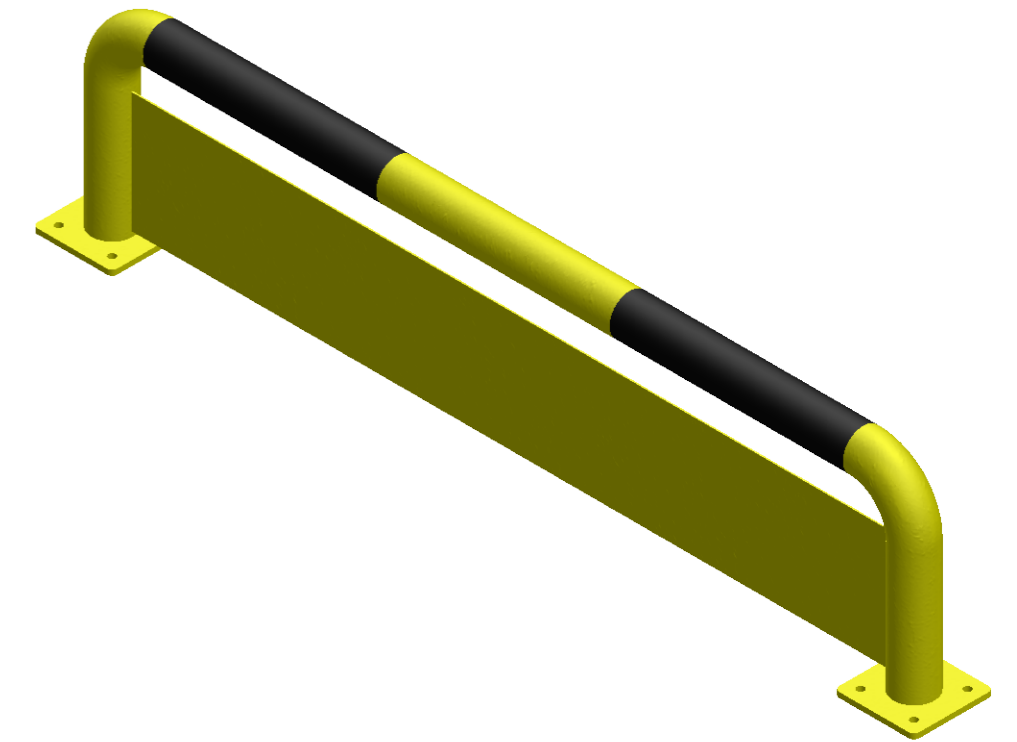
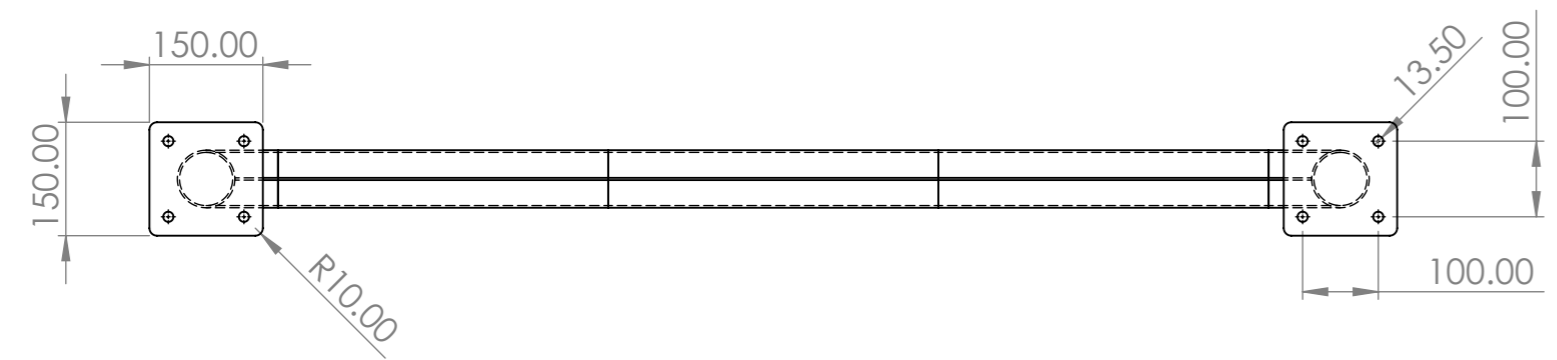
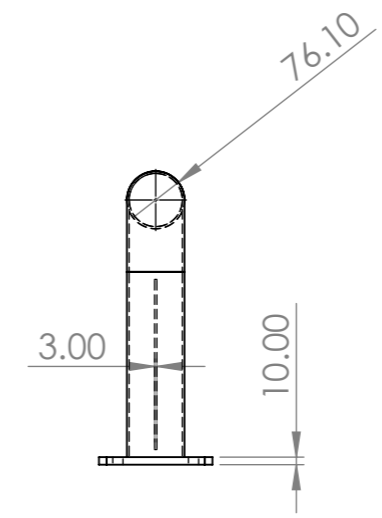
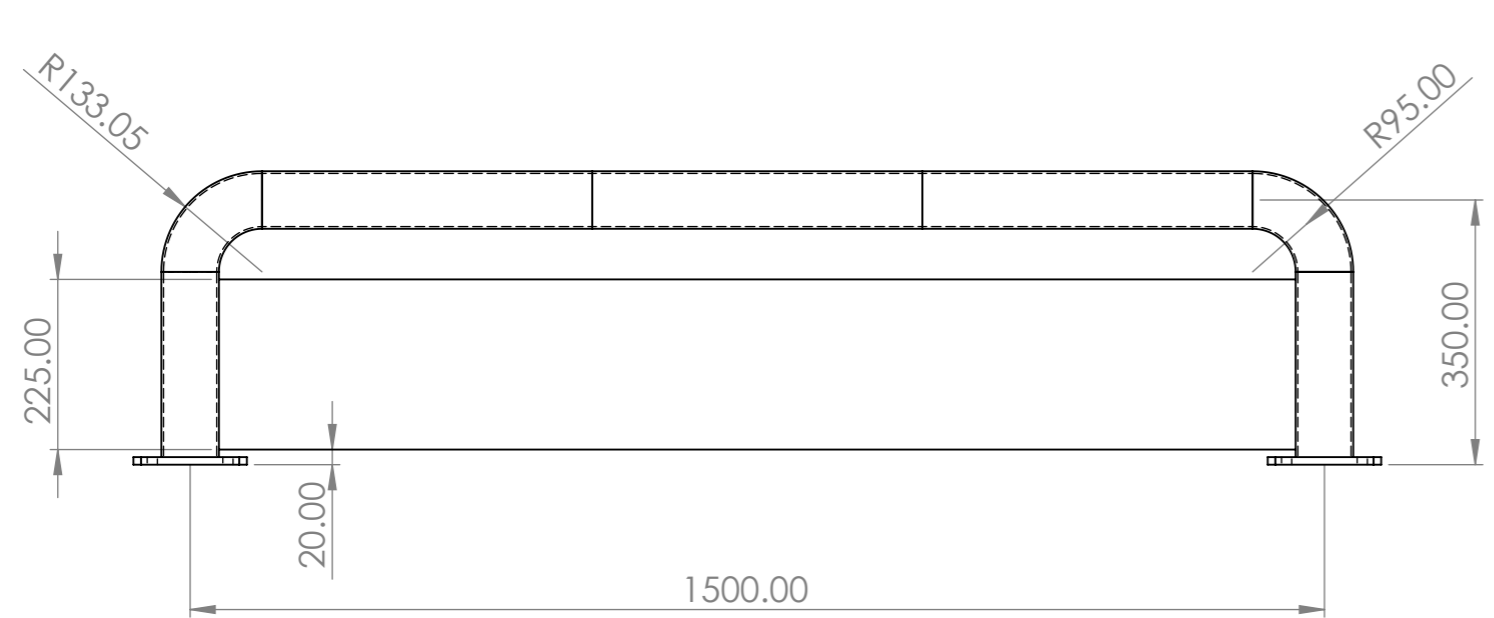



REV	REVISION NOTES	REVISION BY	REVISION DATE
1			
2			
3			
4			



 <p>METAL PRODUCTS DIRECT</p> <p>17 Bridge Street Pendlebury Manchester M27 4DU</p>	UNLESS OTHERWISE SPECIFIED: DIMENSIONS ARE IN MILLIMETERS TOLERANCES: X: 2.5 X.XX: 0.13 X.X: 0.25 X.XXX: 0.013		CUSTOMER:	
	MATERIAL: Plain Carbon Steel		DESCRIPTION:	
DEBUR AND BREAK SHARP EDGES DO NOT SCALE DRAWING IF IN DOUBT ASK!	FINISH: WEIGHT: 21.82 Kg	BY: LH DATE:	DWG NO: SGWI-L1500-H350-D76	REV:
	CHECKED:	APPROVED:	SHEET SCALE: 1:10 SHEET SIZE: A3 SHEET NUMBER: 1 OF 1	