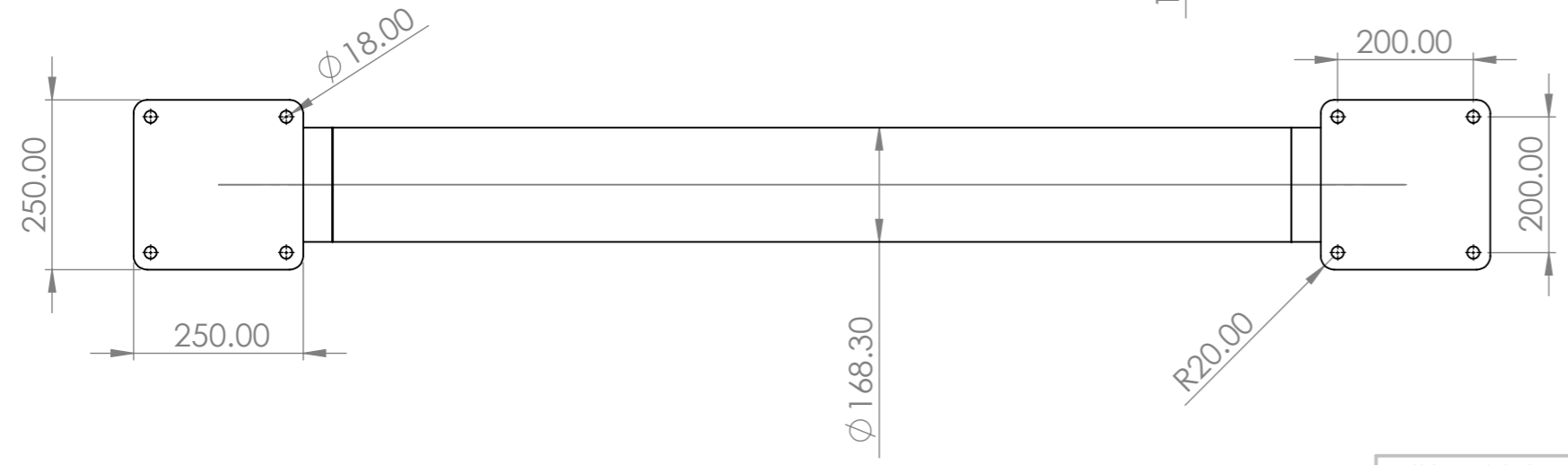
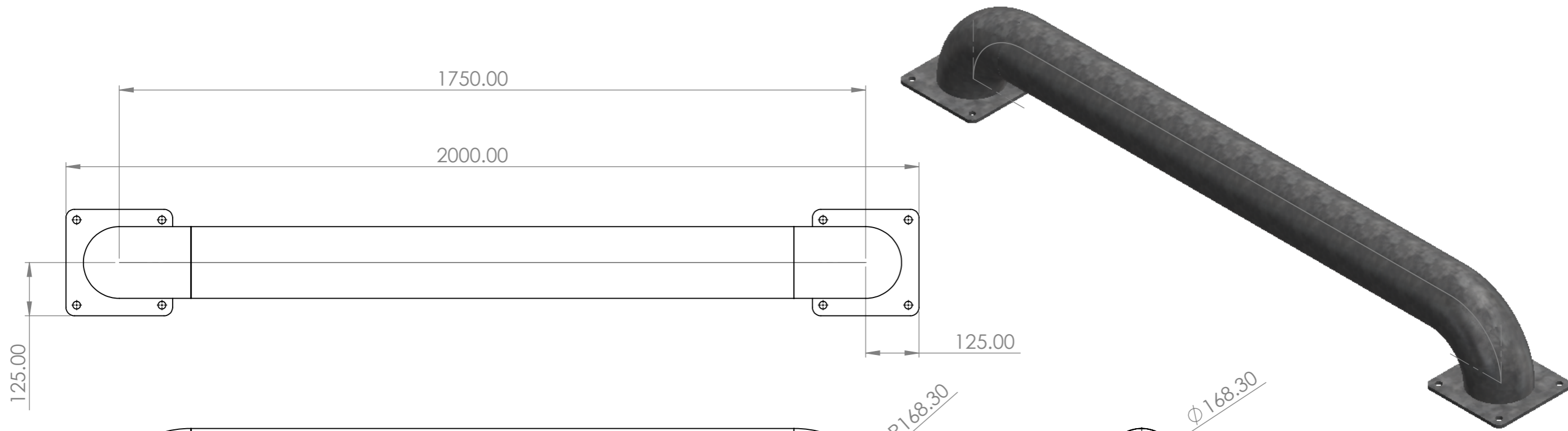


8 7 6 5 4 3 2 1

F

F



D

D

C

C


B

B

A

A

8 7 6 5 4 3 2 1

UNLESS OTHERWISE SPECIFIED: DIMENSIONS ARE IN MILLIMETERS				FINISH: Galvanized		DEBURR AND BREAK SHARP EDGES		DO NOT SCALE DRAWING		REVISION	
SURFACE FINISH: TOLERANCES: LINEAR: ANGULAR:										TITLE: Straight Wheel Guide (Pair) L2000 x D168.3 Galvanized	
DRAWN				NAME		SIGNATURE					
CHK'D										A3	
APPV'D										SCALE:1:10	
MFG										SHEET 1 OF 1	
Q.A								MATERIAL: Galvanized Steel		WEIGHT: 48.9KG	