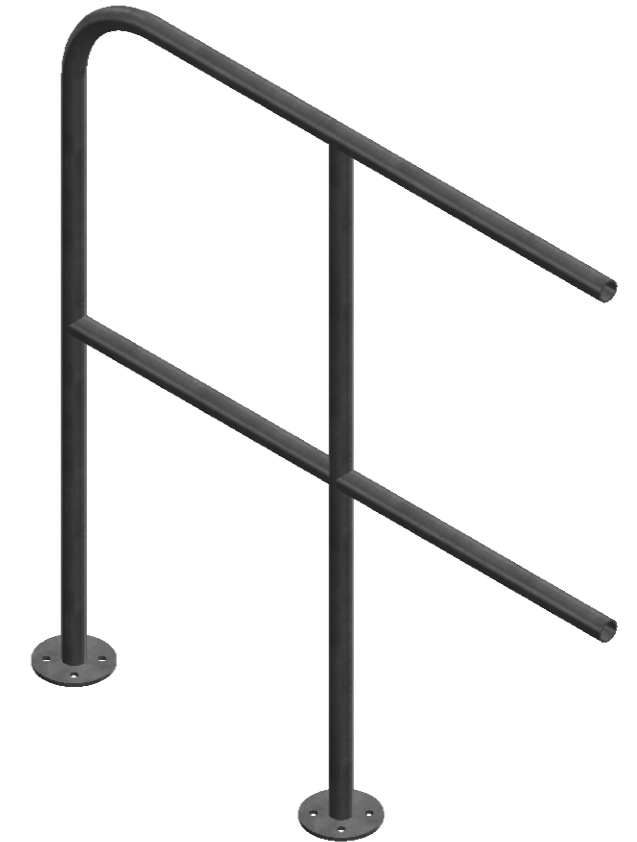
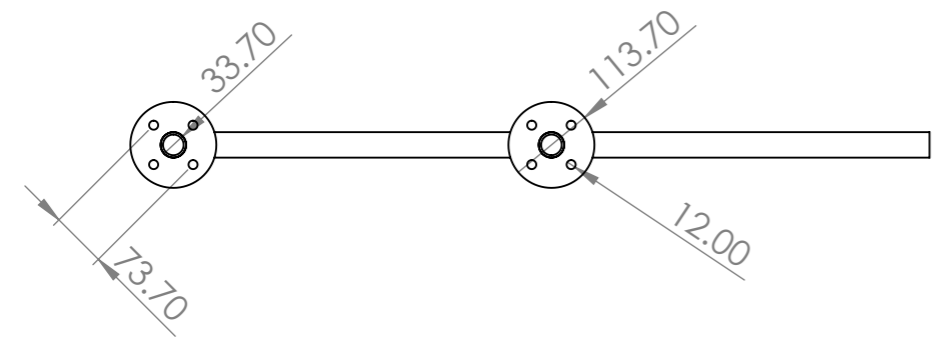
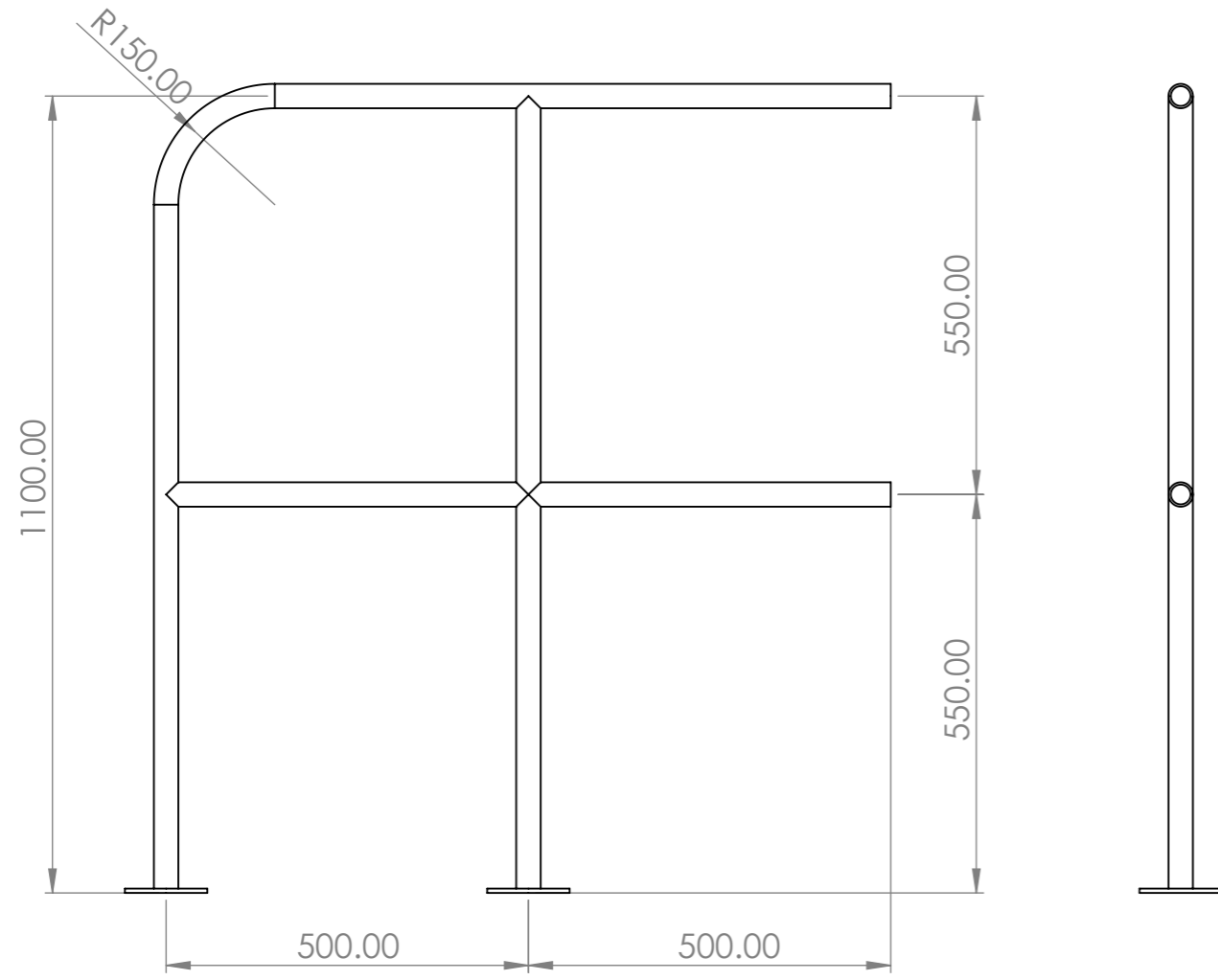



| REV | REVISION NOTES | REVISION BY | REVISION DATE |
|-----|----------------|-------------|---------------|
| 1 | | | |
| 2 | | | |
| 3 | | | |
| 4 | | | |



| | | | | |
|--|--|----------------------|--|----------------|
|  METAL PRODUCTS DIRECT | UNLESS OTHERWISE SPECIFIED: DIMENSIONS ARE IN MILLIMETERS TOLERANCES: X: 2.5 X.XX: 0.13 X.X: 0.25 X.XXX: 0.013 | | CUSTOMER: | |
| | MATERIAL: Mild Steel | | DESCRIPTION: Galv Handrail end section 1000mm long | |
| 17 Bridge Street Pendlebury Manchester M27 4DU | FINISH: Galvanized WEIGHT: Kg 10.7 | | DWG NO: THR-G-END1000-D33.7 | |
| | DEBUR AND BREAK SHARP EDGES DO NOT SCALE DRAWING IF IN DOUBT ASK! | | BY: | DATE: |
| APPROVED: | | SHEET SCALE: 1:10 | | SHEET SIZE: A3 |
| APPROVED: | | SHEET NUMBER: 1 OF 1 | | REV: |