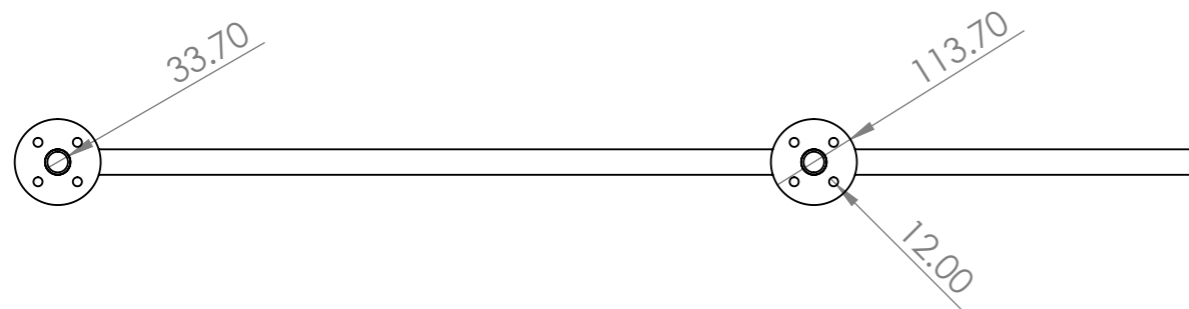
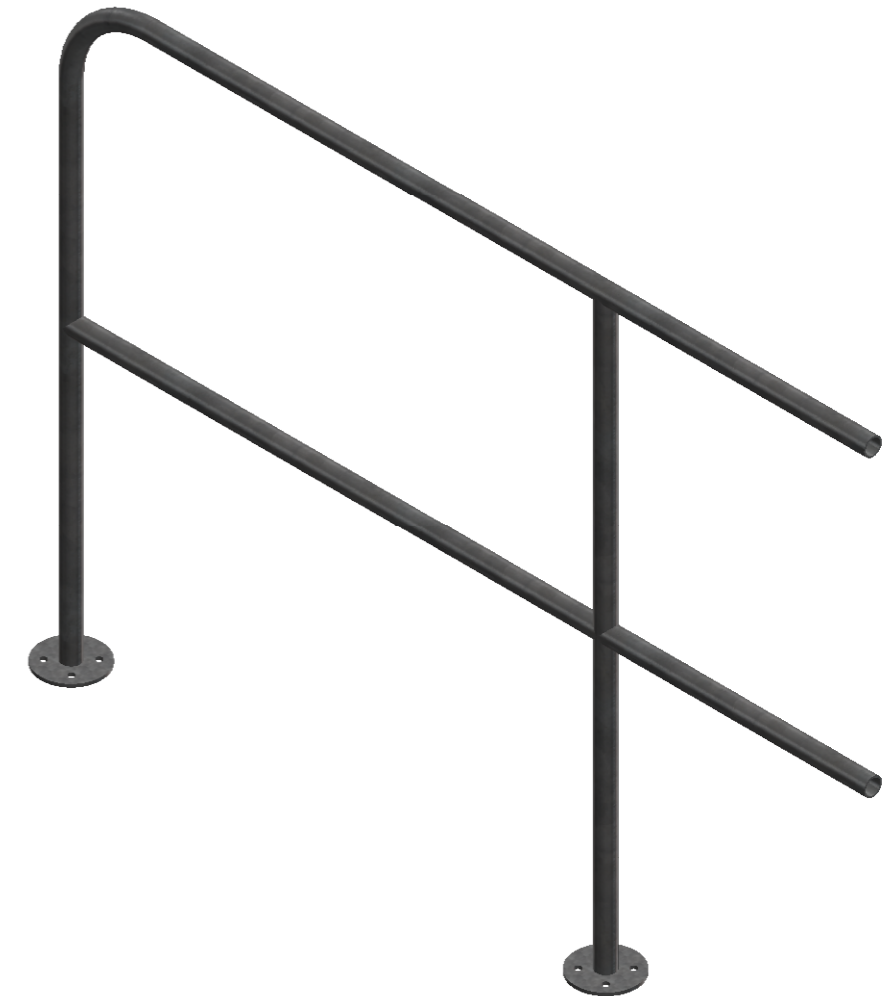
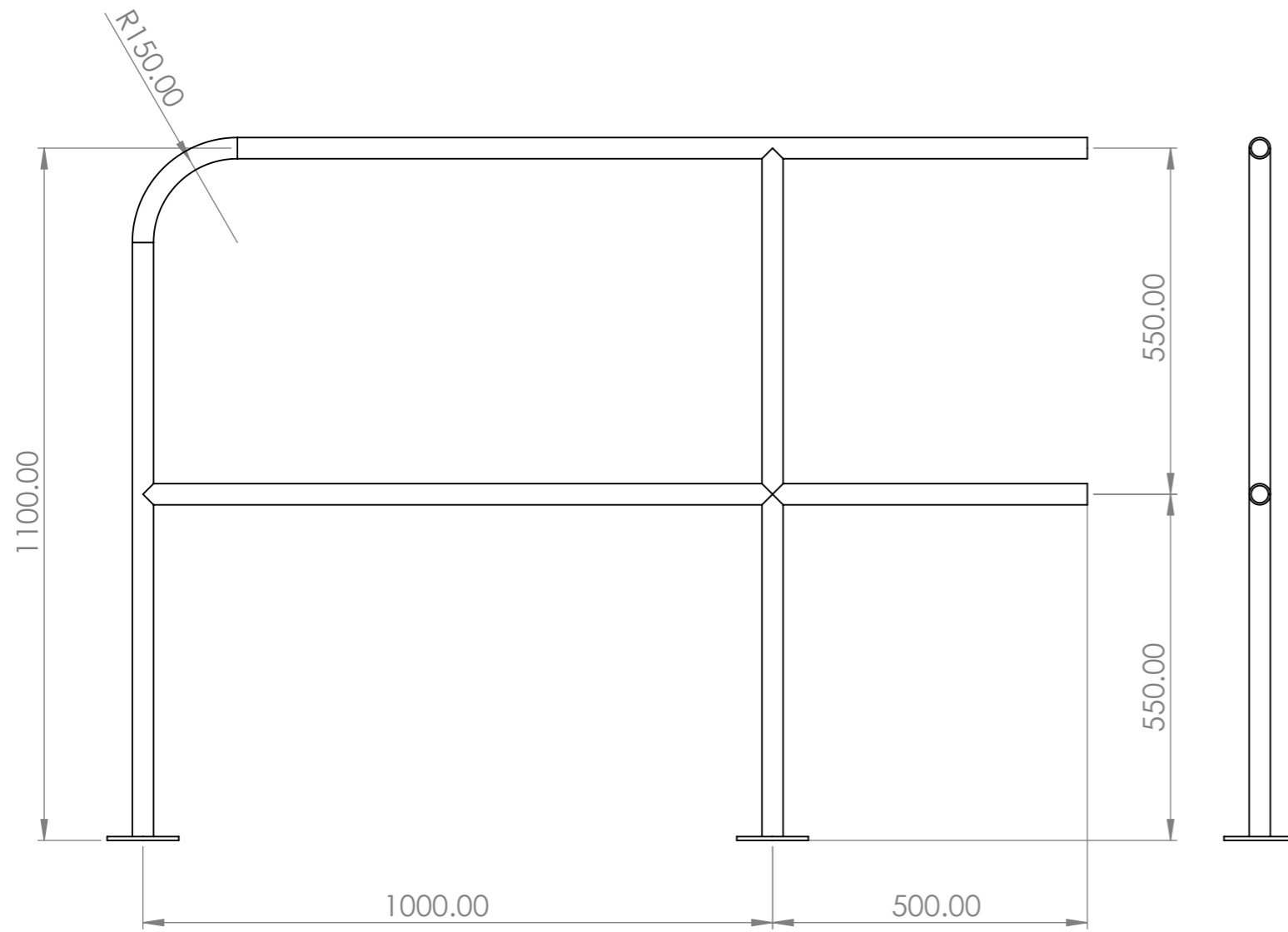



REV	REVISION NOTES	REVISION BY	REVISION DATE
1			
2			
3			
4			



	UNLESS OTHERWISE SPECIFIED: DIMENSIONS ARE IN MILLIMETERS TOLERANCES: X: 2.5 X.XX: 0.13 X.X: 0.25 X.XXX: 0.013		CUSTOMER:	
	MATERIAL: Mild Steel FINISH: Galvanized WEIGHT: Kg 13.15		DESCRIPTION: 33.7mm Galv handrail end section 1500mm long	
17 Bridge Street Pendlebury Manchester M27 4DU	BY: DATE:	DWG NO: THR-G-END1500-D33.7		REV:
DEBUR AND BREAK SHARP EDGES DO NOT SCALE DRAWING IF IN DOUBT ASK!	DRAWN: CHECKED: APPROVED:	SHEET SCALE: 1:10 SHEET SIZE: A3 SHEET NUMBER: 1 OF 1		