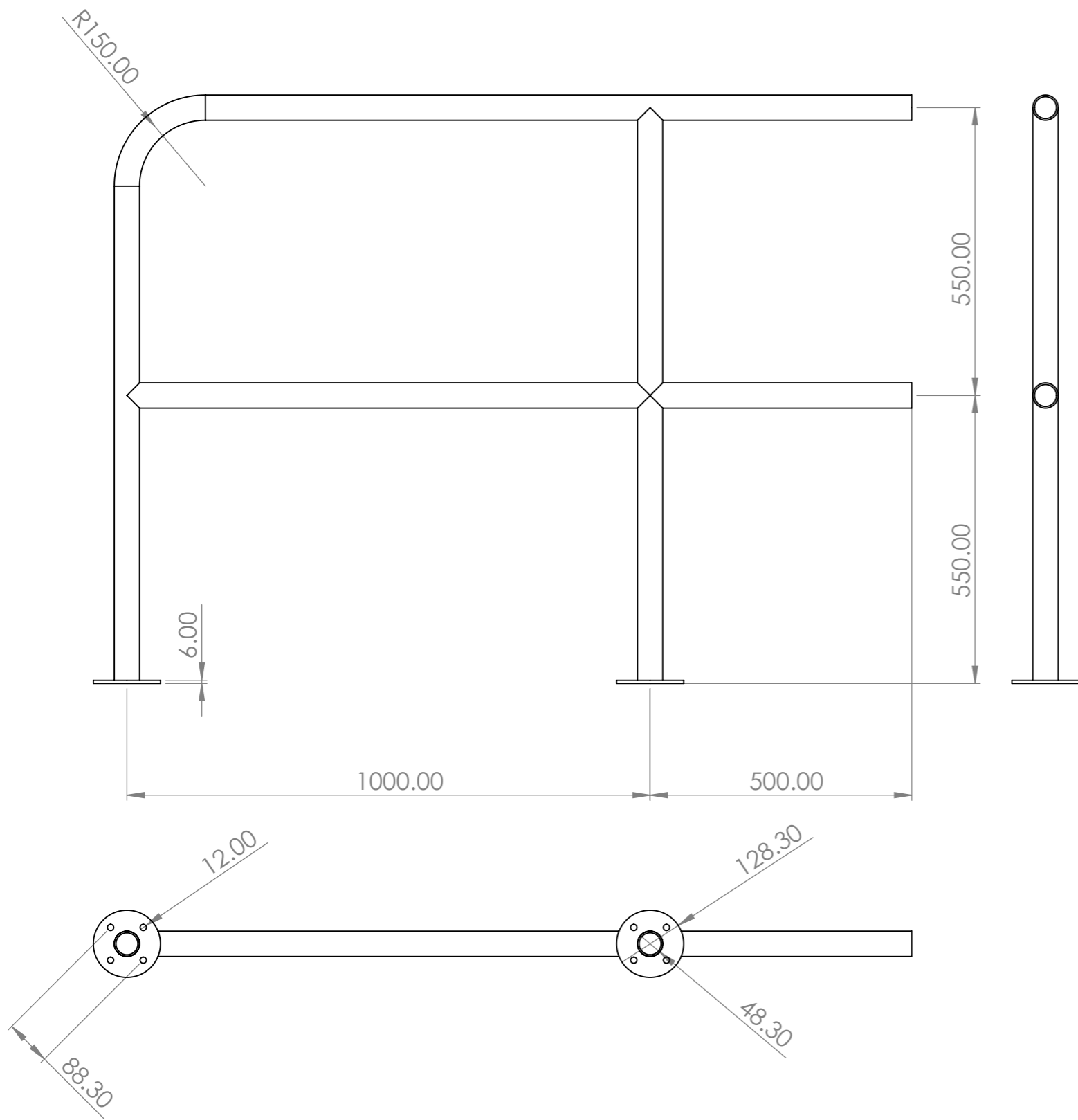



REV	REVISION NOTES	REVISION BY	REVISION DATE
1			
2			
3			
4			



	UNLESS OTHERWISE SPECIFIED: DIMENSIONS ARE IN MILLIMETERS TOLERANCES: X: 2.5 X.XX: 0.13 X.X: 0.25 X.XXX: 0.013		CUSTOMER:	
	MATERIAL: Stainless Steel		DESCRIPTION: stainless steel handrail end section 1500mm long	
17 Bridge Street Pendlebury Manchester M27 4DU	FINISH: Brushed WEIGHT: 19.10 Kg		DWG NO: THR-SS-END1500-D48.3	
DEBUR AND BREAK SHARP EDGES DO NOT SCALE DRAWING IF IN DOUBT ASK!	BY:	DATE:	REV:	
	DRAWN:		SHEET SCALE: 1:10 SHEET SIZE: A3 SHEET NUMBER: 1 OF 1	
	CHECKED:			
	APPROVED:			