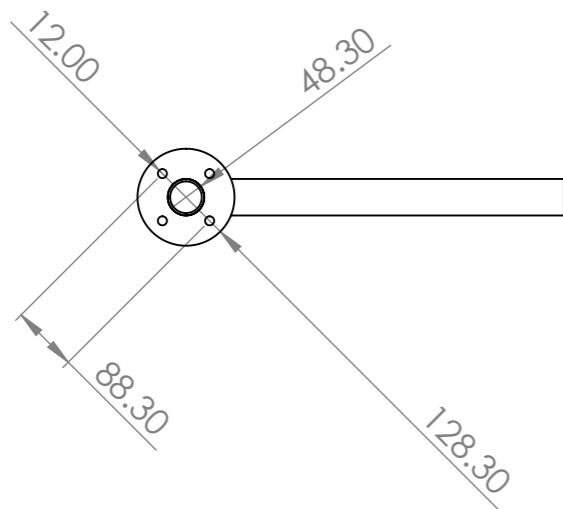
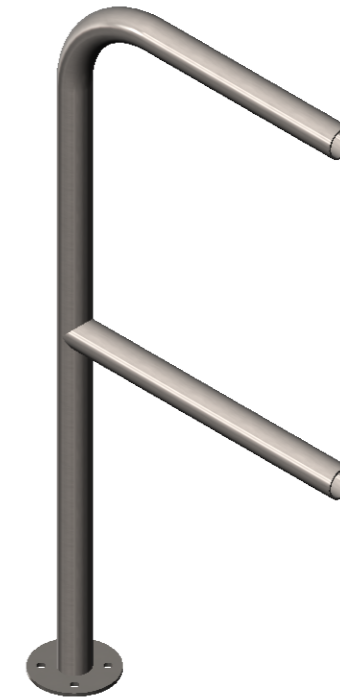
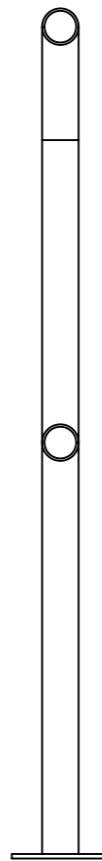
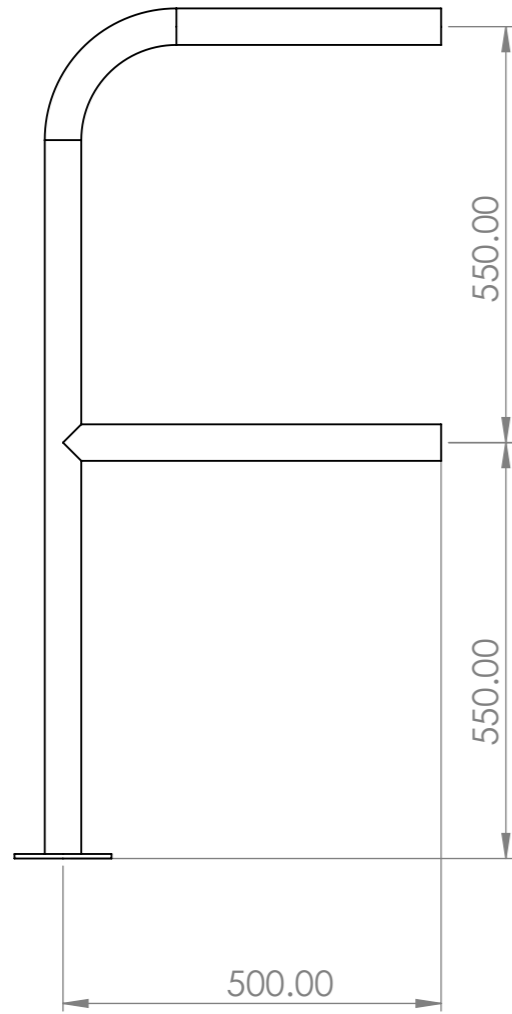



| REV | REVISION NOTES | REVISION BY | REVISION DATE |
|-----|----------------|-------------|---------------|
| 1 | | | |
| 2 | | | |
| 3 | | | |
| 4 | | | |



| | | | | |
|--|--|---|--|----------------------|
|  METAL PRODUCTS DIRECT | UNLESS OTHERWISE SPECIFIED: DIMENSIONS ARE IN MILLIMETERS TOLERANCES: X: 2.5 X.XX: 0.13 X.X: 0.25 X.XXX: 0.013 | CUSTOMER: | | |
| | 17 Bridge Street Pendlebury Manchester M27 4DU | MATERIAL: 304L Stainless steel FINISH: Brushed WEIGHT: 7.83 Kg | DESCRIPTION: Stainless steel handrail end section 500mm long | |
| DEBUR AND BREAK SHARP EDGES DO NOT SCALE DRAWING IF IN DOUBT ASK! | BY: _____ DATE: _____ DRAWN: _____ CHECKED: _____ APPROVED: _____ | DWG NO: THR-SS-END500-D48.3 | REV: _____ | |
| | | SHEET SCALE: 1:10 | SHEET SIZE: A3 | SHEET NUMBER: 1 OF 1 |