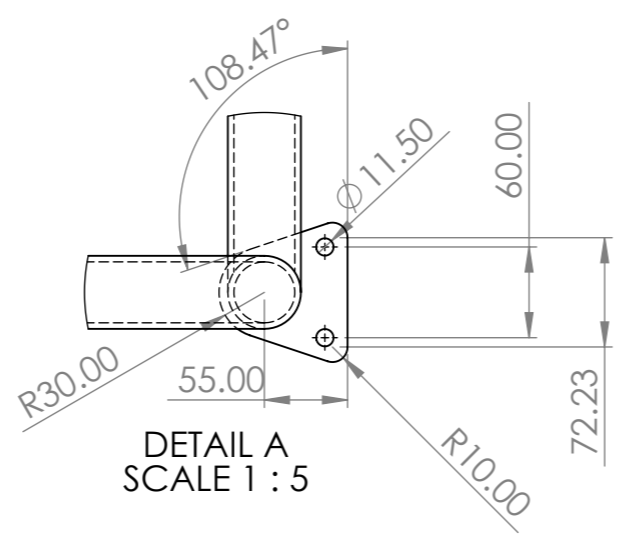
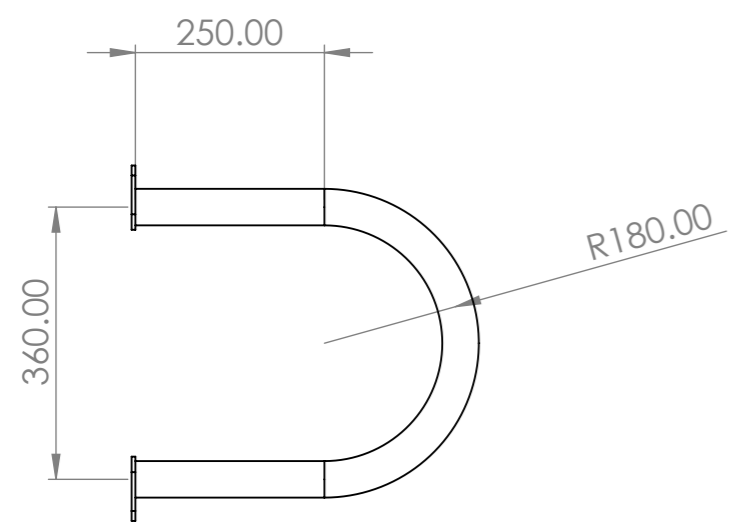
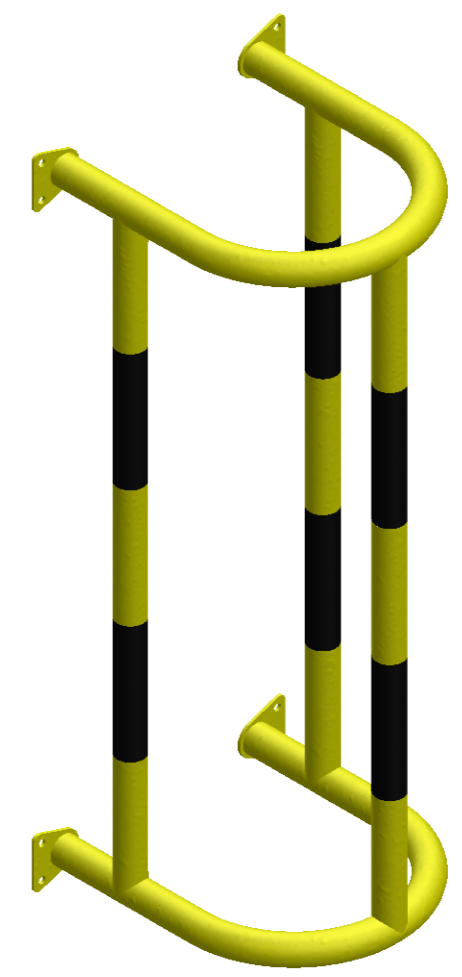
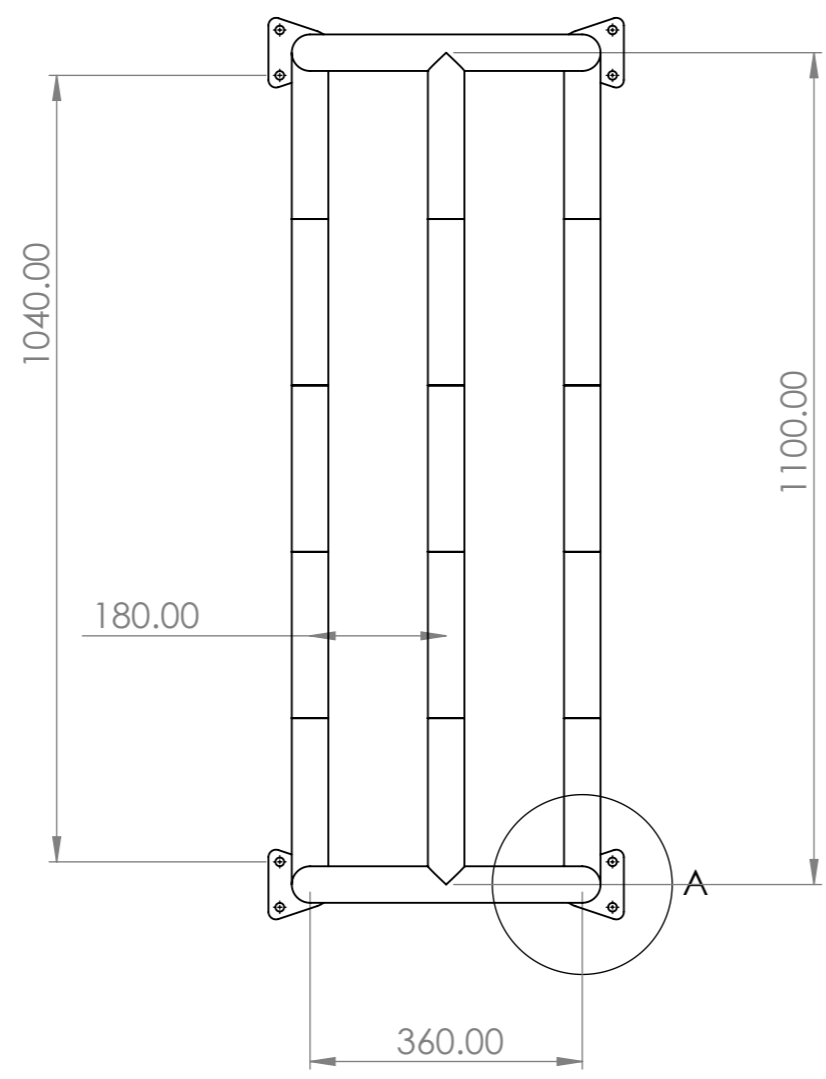
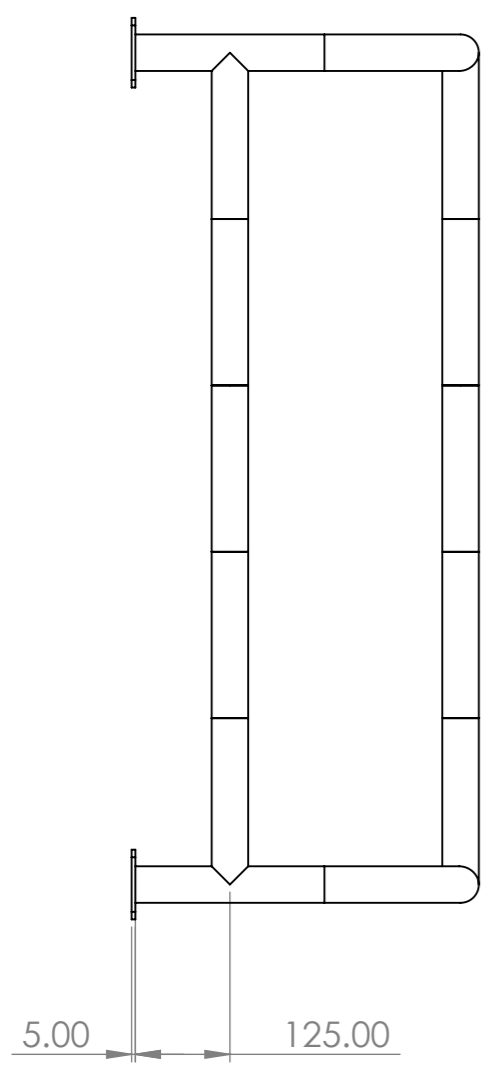


8 7 6 5 4 3 2 1

F
E
D
C
B
A

F
E
D
C
B
A



UNLESS OTHERWISE SPECIFIED: DIMENSIONS ARE IN MILLIMETERS SURFACE FINISH: TOLERANCES: LINEAR: ANGULAR:		FINISH: powdercoated		DEBURR AND BREAK SHARP EDGES		DO NOT SCALE DRAWING		REVISION	
DRAWN		NAME		SIGNATURE		DATE		TITLE: 1100mm wall mounted vertical pipe protection	
CHK'D								DWG NO. VPP-W-H1100-W425-L350	
APPV'D									
MFG									
Q.A									
				MATERIAL: Galvanized Steel		SCALE:1:20		A3	
				WEIGHT: 24217.94		SHEET 1 OF 1			

8 7 6 5 4 3 2 1

A

A