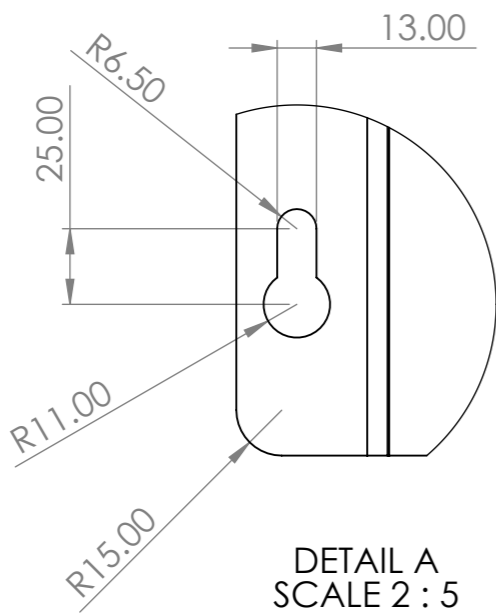
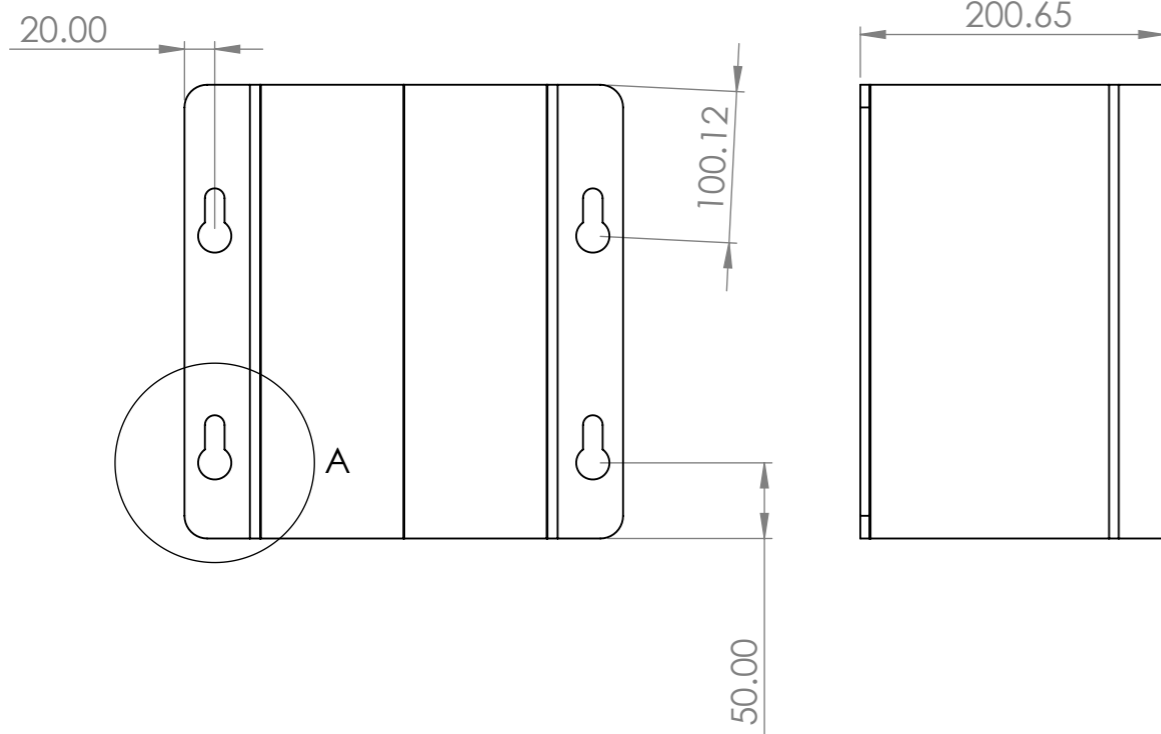
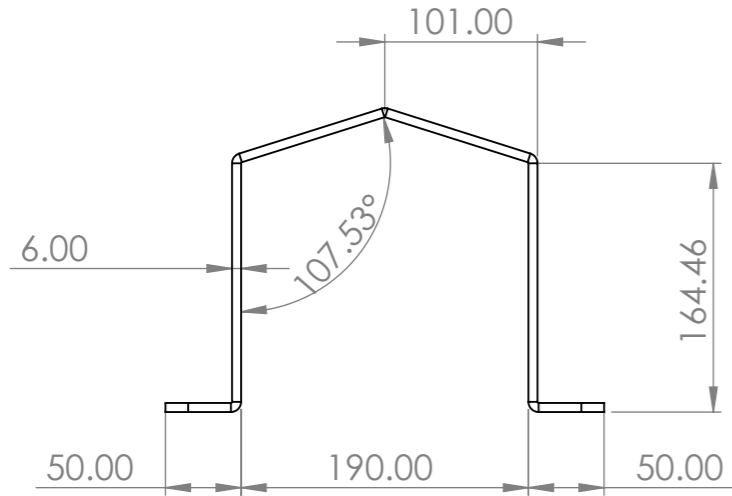



8 7 6 5 4 3 2 1



UNLESS OTHERWISE SPECIFIED: DIMENSIONS ARE IN MILLIMETERS			FINISH: Galv / Powder coated		DEBURR AND BREAK SHARP EDGES		DO NOT SCALE DRAWING		REVISION	
SURFACE FINISH:									TITLE: Wall Mounted Drain Pipe Protector L200 H300	
TOLERANCES: LINEAR: ANGULAR:										
DRAWN	NAME	SIGNATURE	DATE					DWG NO.		A3
CHK'D								WMDPP-L200-H300		
APPV'D								SCALE:1:5		
MFG					MATERIAL: Galvanized Steel			SHEET 1 OF 1		
Q.A					WEIGHT: 8698.12					

8 7 6 5 4 3 2 1