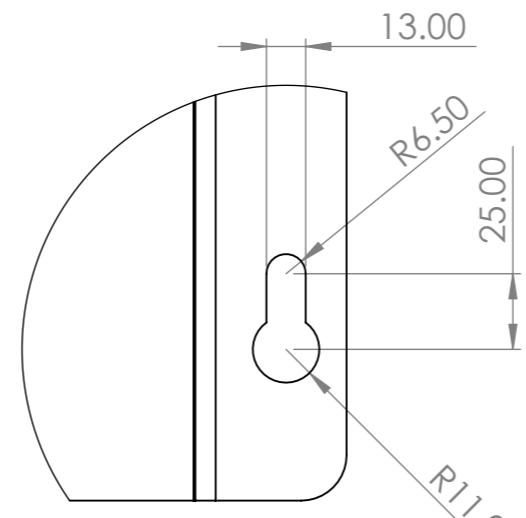
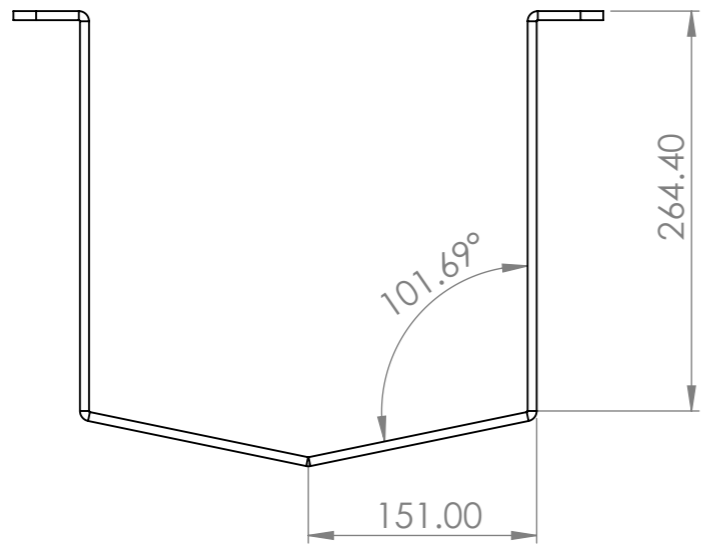
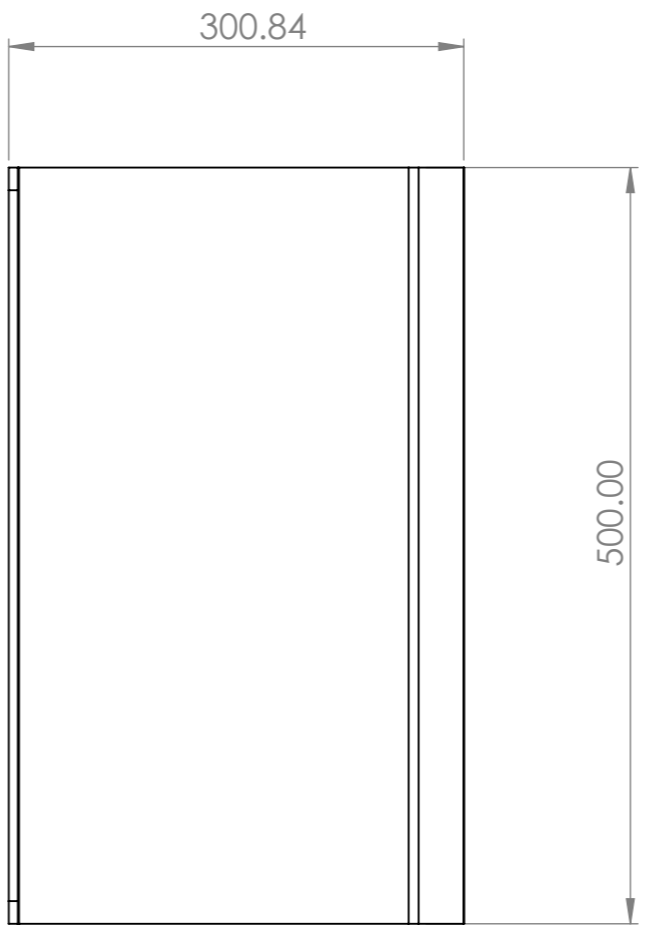
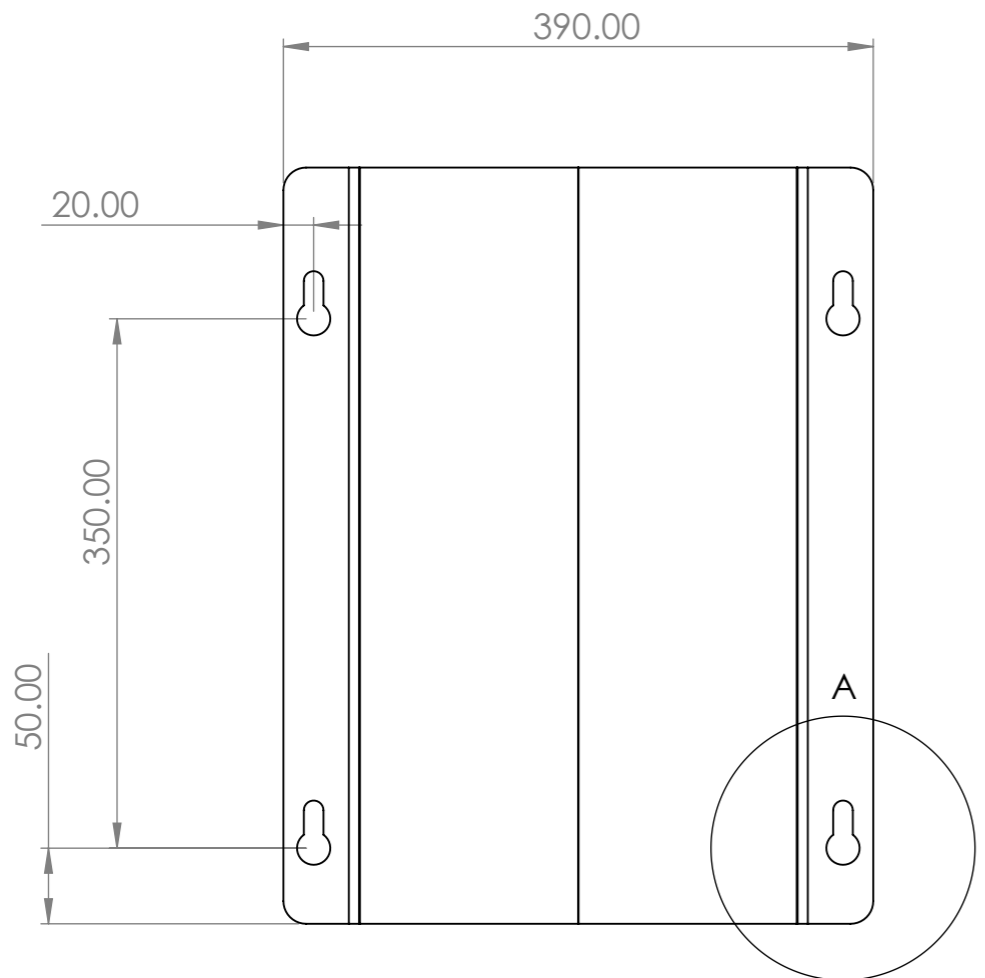



8 7 6 5 4 3 2 1

F  
E  
D  
C  
B  
A

F  
E  
D  
C  
B  
A



DETAIL A  
SCALE 2 : 5

UNLESS OTHERWISE SPECIFIED: DIMENSIONS ARE IN MILLIMETERS				FINISH: Galv/ Powder Coated		DEBURR AND BREAK SHARP EDGES		DO NOT SCALE DRAWING		REVISION	
SURFACE FINISH:											
TOLERANCES:											
LINEAR:								TITLE: Wall Mounted Drain Pipe Protector			
ANGULAR:								DWG NO. WMDPP-L300-H500			
DRAWN				NAME		SIGNATURE		DATE		A3	
CHK'D											
APPV'D											
MFG											
Q.A								MATERIAL: Galvanized Steel		SCALE:1:5	
								WEIGHT: 21590.98		SHEET 1 OF 1	

8 7 6 5 4 3 2 1

A